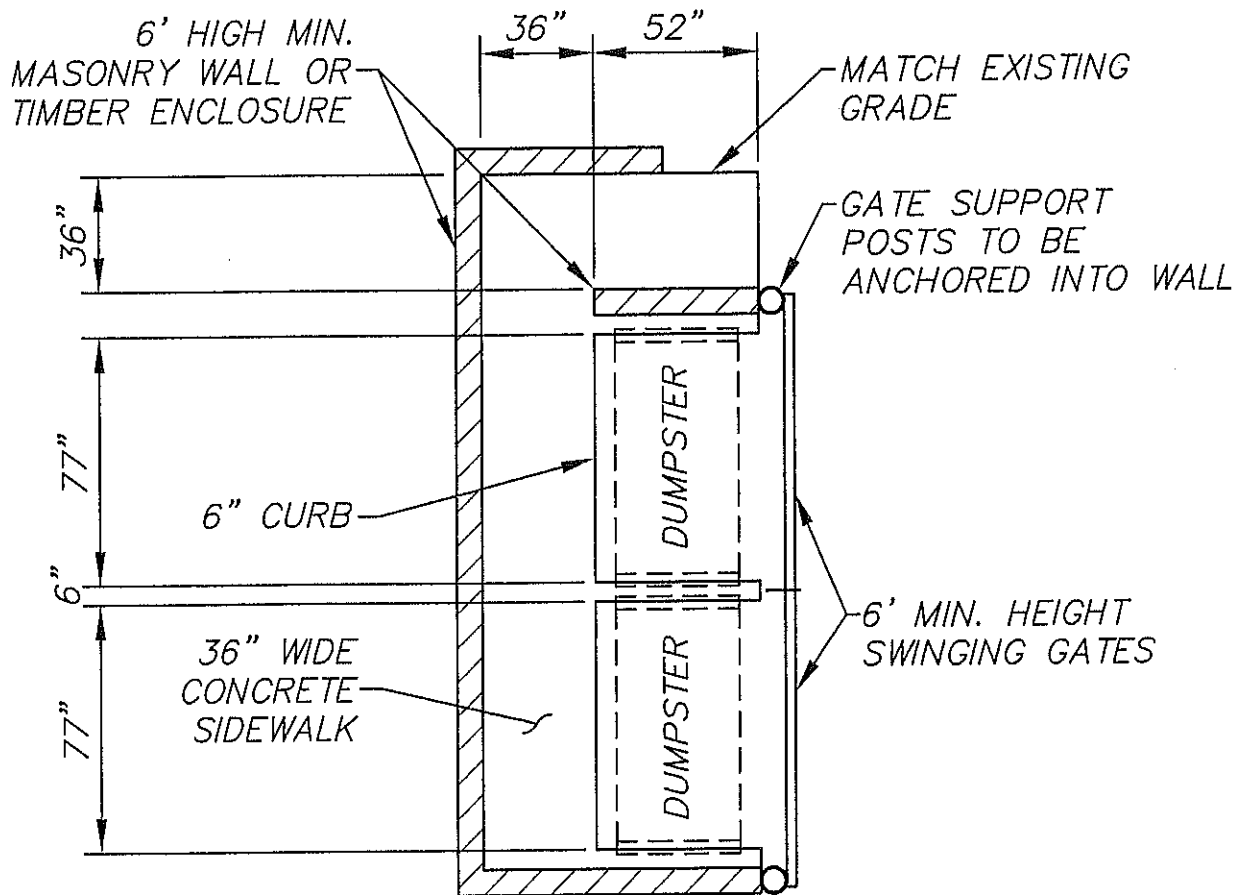


NOTES:

1. TRASH ENCLOSURE INCLUDING SWINGING GATES TO BE DESIGNED AND APPROVED BY THE PLANNING DEPARTMENT PRIOR TO CONSTRUCTION. GATES TO BE A MINIMUM OF 6' HIGH, OPEN WITH 180° SWING, AND BE SECURED WITH DROP PINS AND LATCH.
2. SITE SPECIFIC FIELD CONDITIONS MAY WARRANT CHANGES TO TYPICAL LAYOUT SHOWN. SUCH CHANGES SHALL BE APPROVED BY CITY PLANNING AND CITY ENGINEERING DEPARTMENTS PRIOR TO CONSTRUCTION.

CITY OF BUELLTON – DEPARTMENT OF PUBLIC WORKS

REVISIONS	DUAL TRASH ENCLOSURE (NARROW LAYOUT)	STANDARD DETAIL 701
	<i>Bill Allrecht</i>	9-11-07
	REVIEWED BY: PUBLIC WORKS DIRECTOR	DATE
		1 OF 1

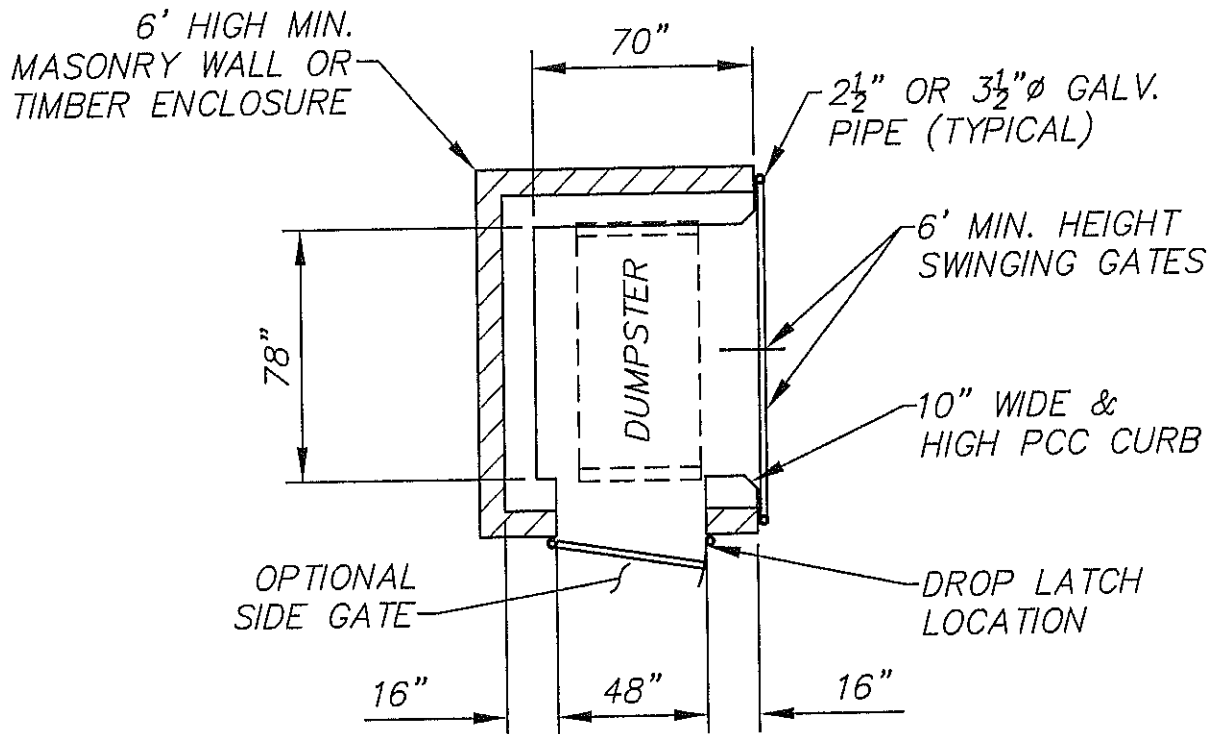


NOTES:

1. TRASH ENCLOSURE INCLUDING SWINGING GATES TO BE DESIGNED AND APPROVED BY THE PLANNING DEPARTMENT PRIOR TO CONSTRUCTION. GATES TO BE A MINIMUM OF 6' HIGH, OPEN WITH 180° SWING, AND BE SECURED WITH DROP PINS AND LATCH.
2. SITE SPECIFIC FIELD CONDITIONS MAY WARRANT CHANGES TO TYPICAL LAYOUT SHOWN. SUCH CHANGES SHALL BE APPROVED BY CITY PLANNING AND CITY ENGINEERING DEPARTMENTS PRIOR TO CONSTRUCTION.

CITY OF BUELLTON – DEPARTMENT OF PUBLIC WORKS

REVISIONS	DUAL TRASH ENCLOSURE (WIDE LAYOUT)	STANDARD DETAIL 702
	<i>Bill Albrecht</i>	9-11-07
	REVIEWED BY: PUBLIC WORKS DIRECTOR	DATE
		1 OF 1



NOTES:

1. TRASH ENCLOSURE INCLUDING SWINGING GATES TO BE DESIGNED AND APPROVED BY THE PLANNING DEPARTMENT PRIOR TO CONSTRUCTION. GATES TO BE A MINIMUM OF 6' HIGH, OPEN WITH 180° SWING, AND BE SECURED WITH DROP PINS AND LATCH.
2. SITE SPECIFIC FIELD CONDITIONS MAY WARRANT CHANGES TO TYPICAL LAYOUT SHOWN. SUCH CHANGES SHALL BE APPROVED BY CITY PLANNING AND CITY ENGINEERING DEPARTMENTS PRIOR TO CONSTRUCTION.

CITY OF BUELLTON – DEPARTMENT OF PUBLIC WORKS

REVISIONS

SINGLE TRASH ENCLOSURE

**STANDARD
DETAIL
703**

Bill Albrecht

9-11-07

REVIEWED BY: PUBLIC WORKS DIRECTOR

DATE

1 OF 1